

V-PR100 datasheet

Date: 2021. 06. 10



Contents

1. Overview
2. Specification
3. Antenna radiation pattern
4. Interface
5. Block Diagram

1. Overview

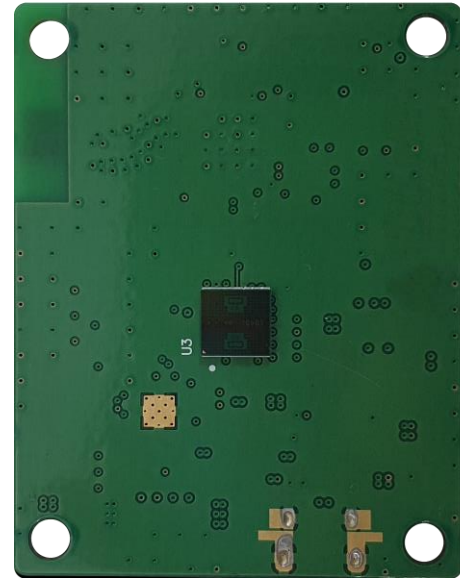
Features

- 60 GHz Pulsed Coherent Radar (PCR)
- About 8meter detection range
- HPBW of 80 (H-plane) and 40 degrees(E-plane)
- Board size 35mm*45mm*8mm
- Weight
- Supply voltage/current: 5V/60mA
- Interface



Application

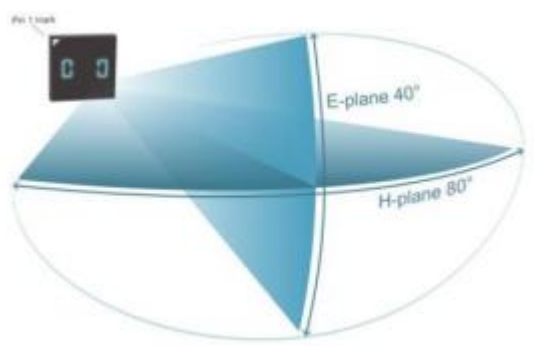
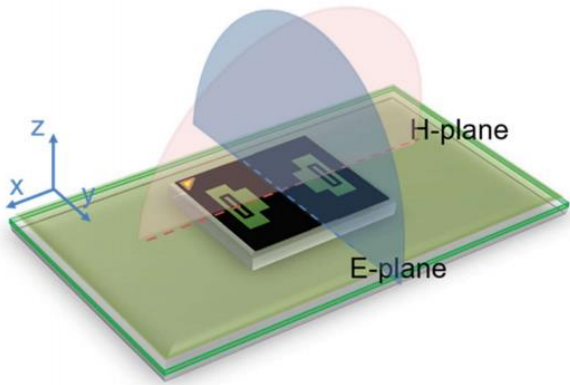
- Distance measurement
- Object detection
- LPR (license plate recognition)
- Indoor moving object detection



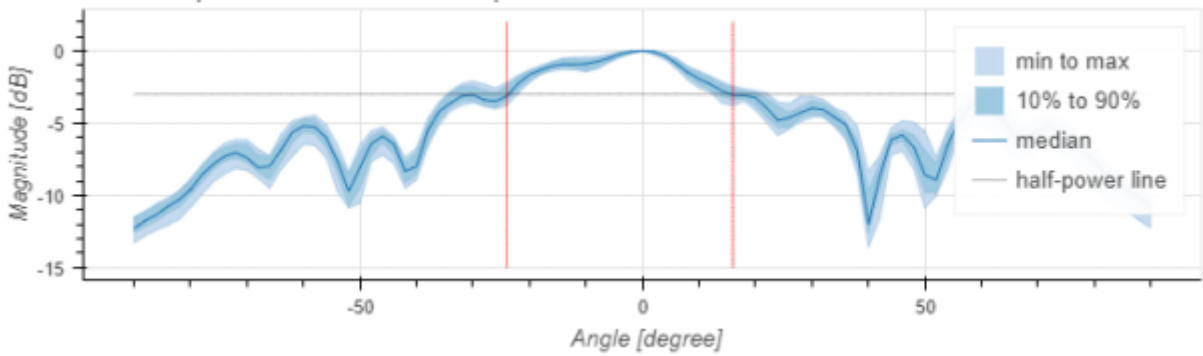
2. Specification

Parameter	Min	Typ	Max	unit
frequency		60.5		GHz
EIRP			+10	dBm
Horizontal -3dB beamwidth		80		°
Vertical -3dB beamwidth		40		°
Digital interface		USB, RS-232		
Supply Voltage		5		V
Supply current	60	60	80	mA
demensions		35 x 45		mm
weight		5		g

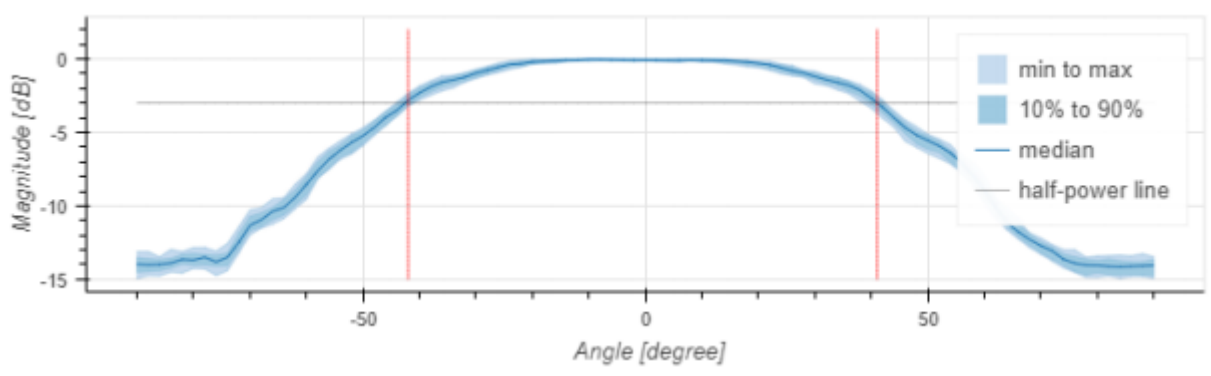
3. Antenna radiation pattern



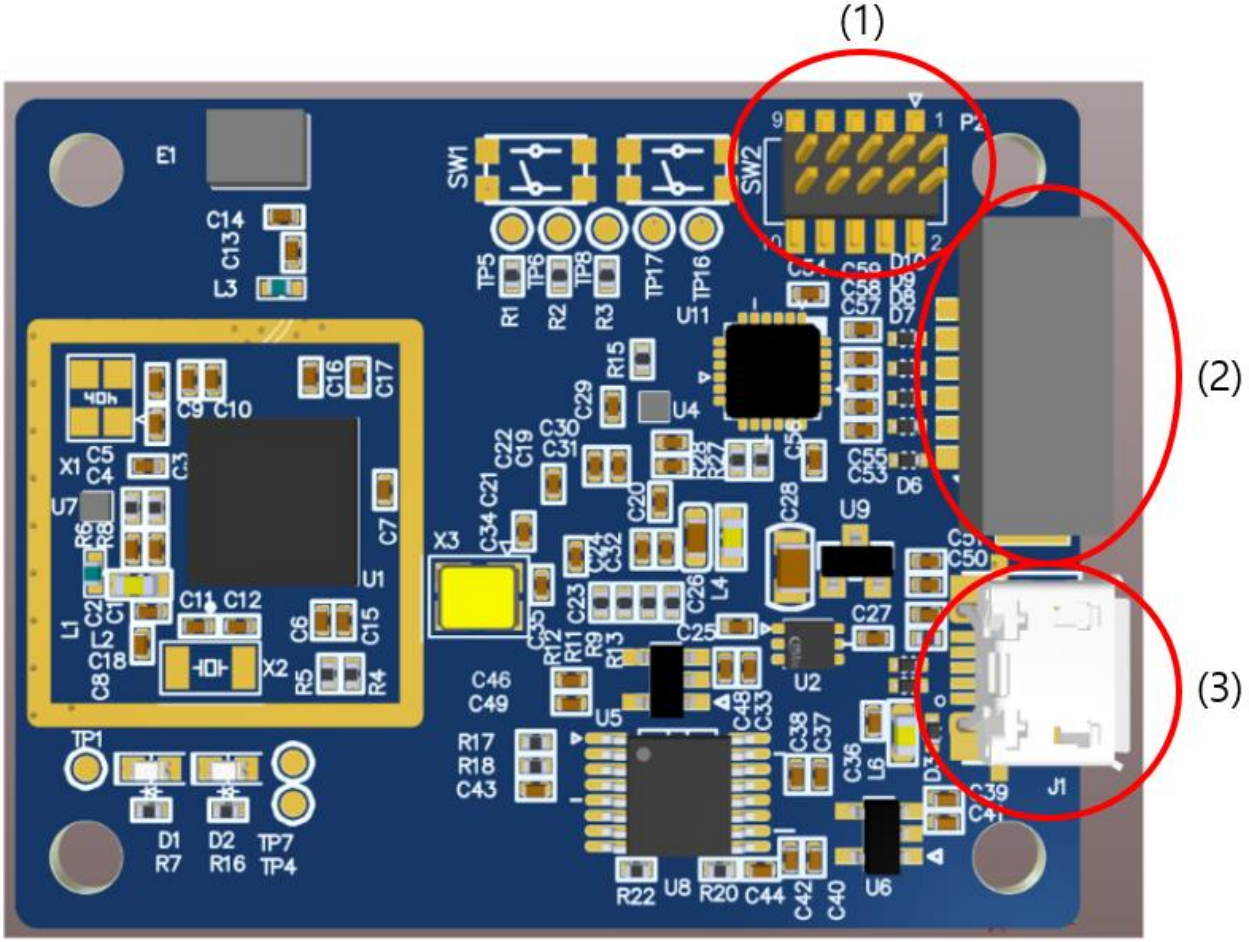
E-Plane



H-Plane



4. Interface



(1) ISP downloader

(2) Power IN: 5 V / RS-232 115'200 Baud

(3) Power IN: 5 V / USB 115'200 Baud

5. Block Diagram

